



JD Machinery Sales and Service Inc

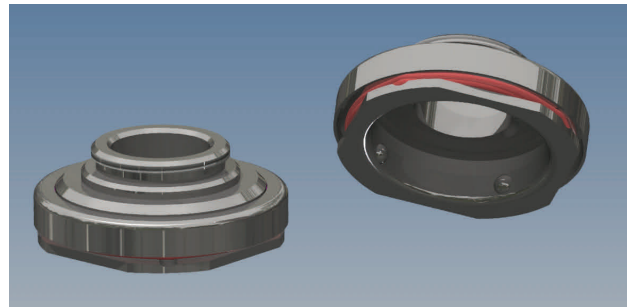
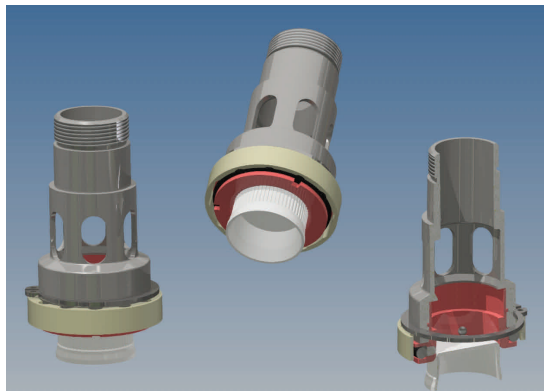
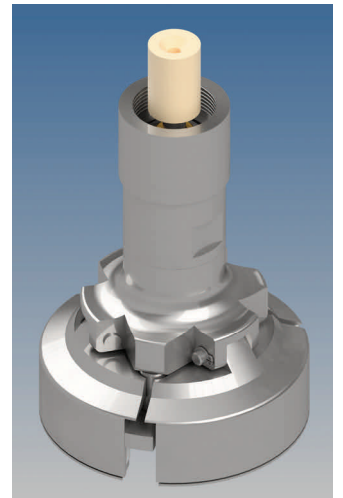
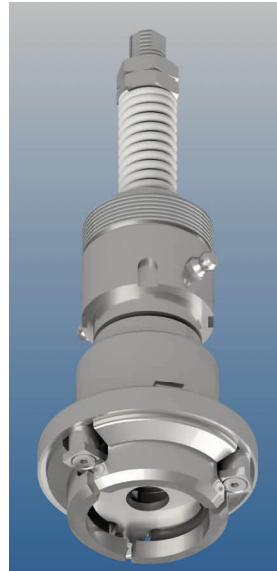
Your single source for OEM replacement capper chucks and
Magnetic Technologies hysteresis headsets

We supply capper chucks of all styles and types including gripper chucks, solid chucks and rubber lined jaws for all OEM capper manufacturers. This includes Alcoa, Arol, Federal, Filler Specialties, Fogg, US Bottlers, Zalkin and Kronen.



When you choose to work with JD Machinery Sales and Service for your cap chuck needs you can expect:

- Complete documentation
- Full interchangeability with existing parts
- Highly competitive pricing
- Prompt turn around with firm delivery dates
- Highly experience service and support staff for install and qualification



Designs for new mini-water caps and 1881 closure to large 110 mm diameter closures. O ring and ball retention covers for one piece chucks. Gripper assemblies for smooth sided caps with custom molded inserts